

**SINGER**  
**153W103**

Form 2748w  
(Rev. 1153)  
Printed in U.S.A.

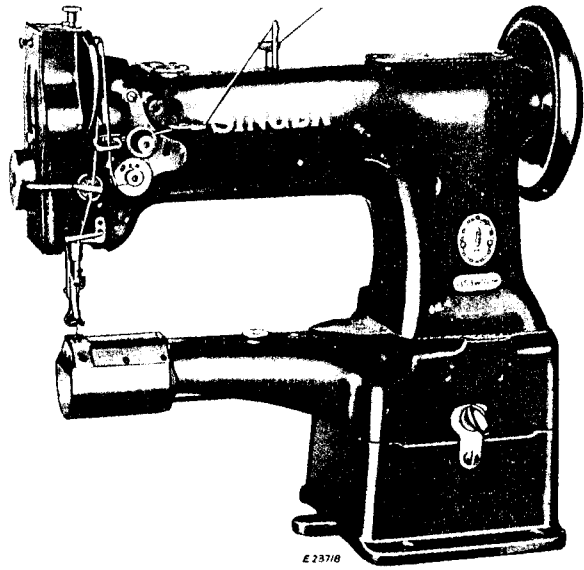
**SINGER\***  
153W103

---

**THE SINGER COMPANY**

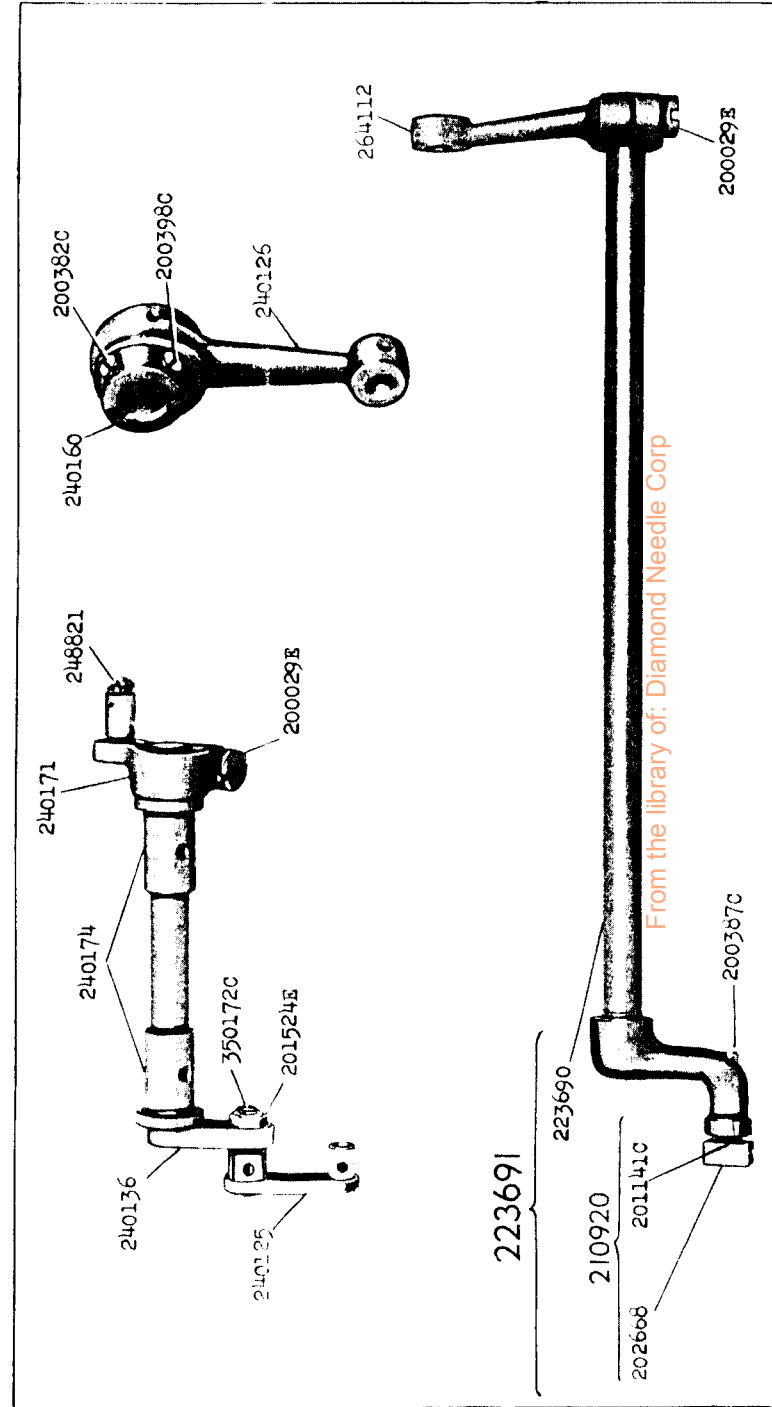
\*A Trade Mark of THE SINGER COMPANY

From the library of: Diamond Needle Corp



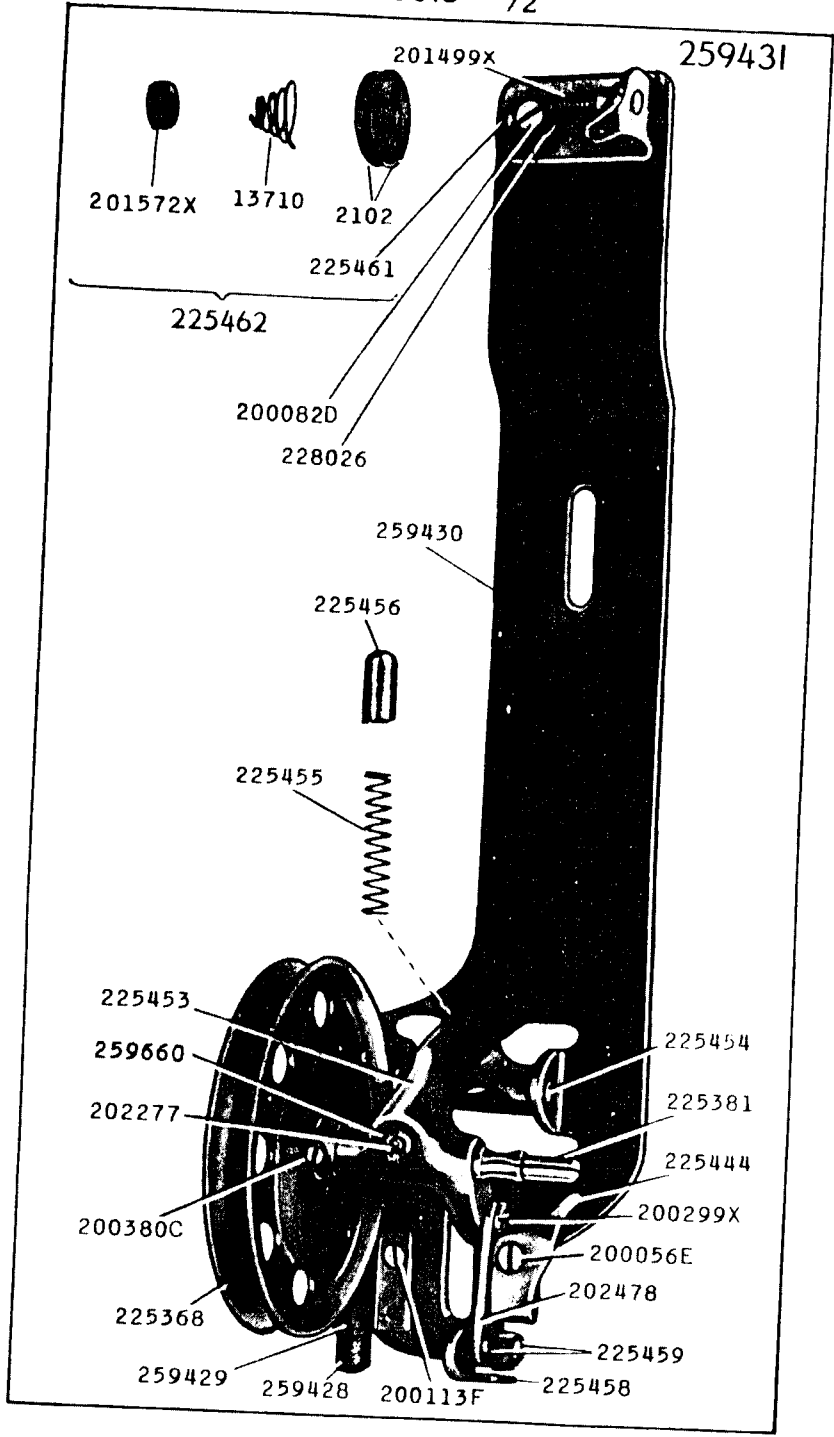
Copyright, U. S. A., 1940, 1941, 1942 and 1954.  
 by The Singer Company  
 All Rights Reserved for All Countries

16058 - 1/2

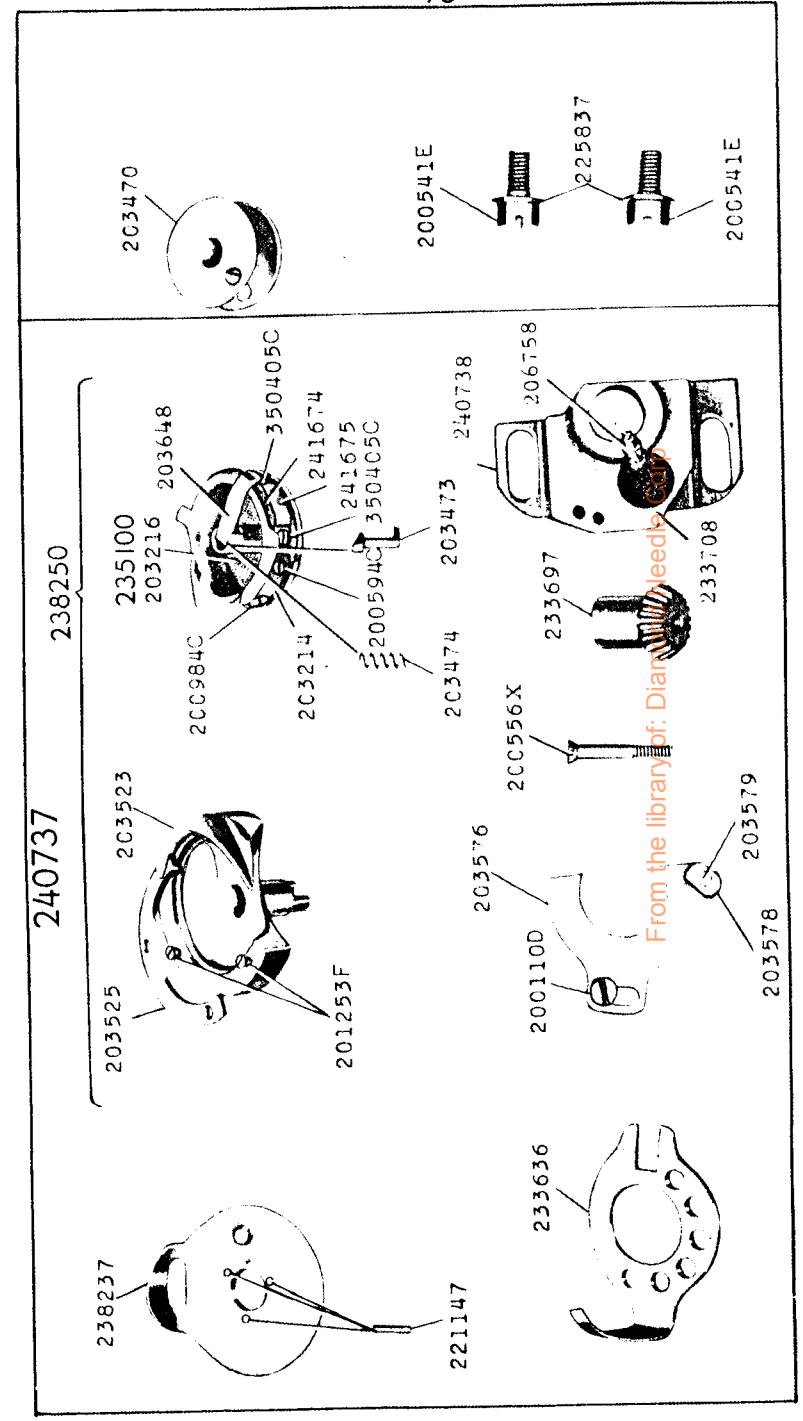


16615 - 1/2

259431

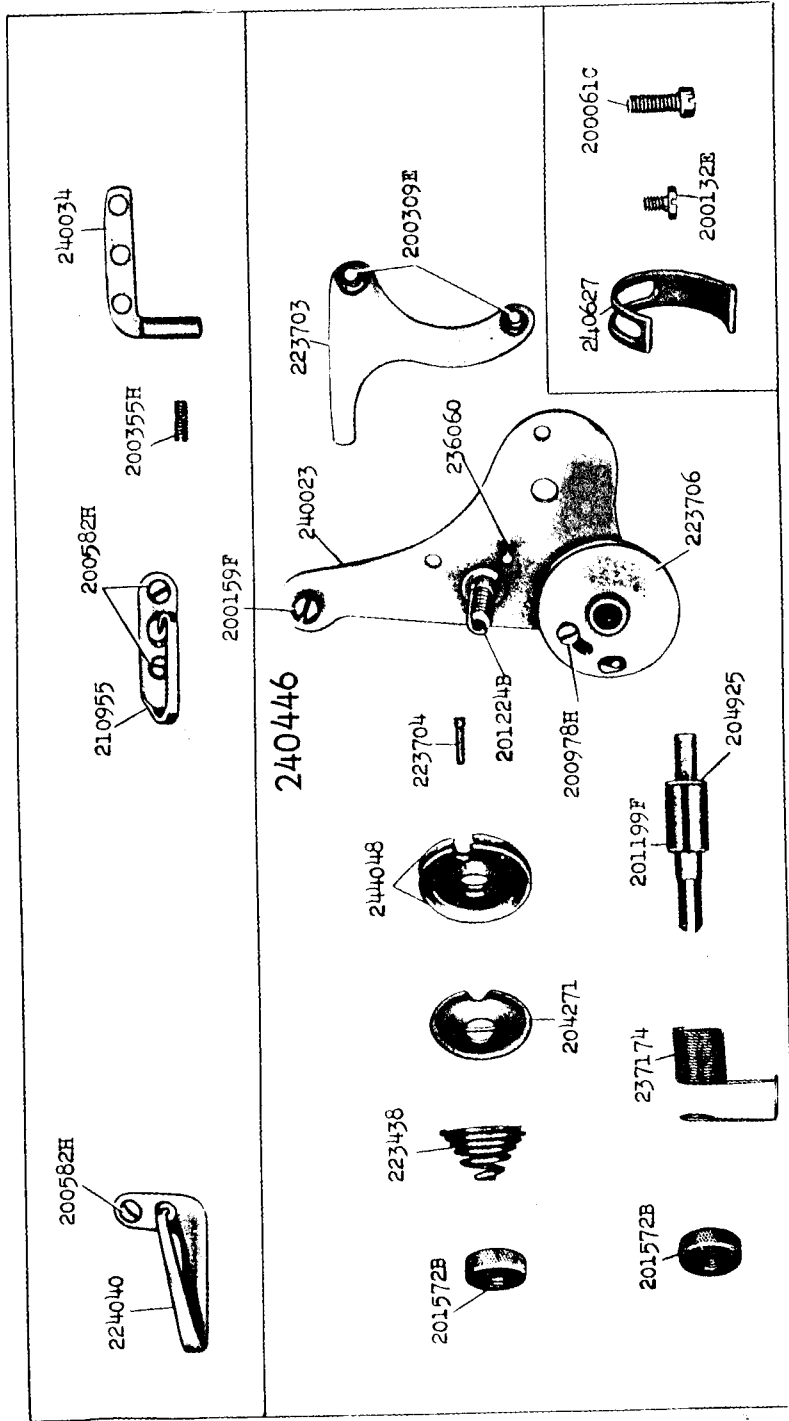


16916 - 2/3

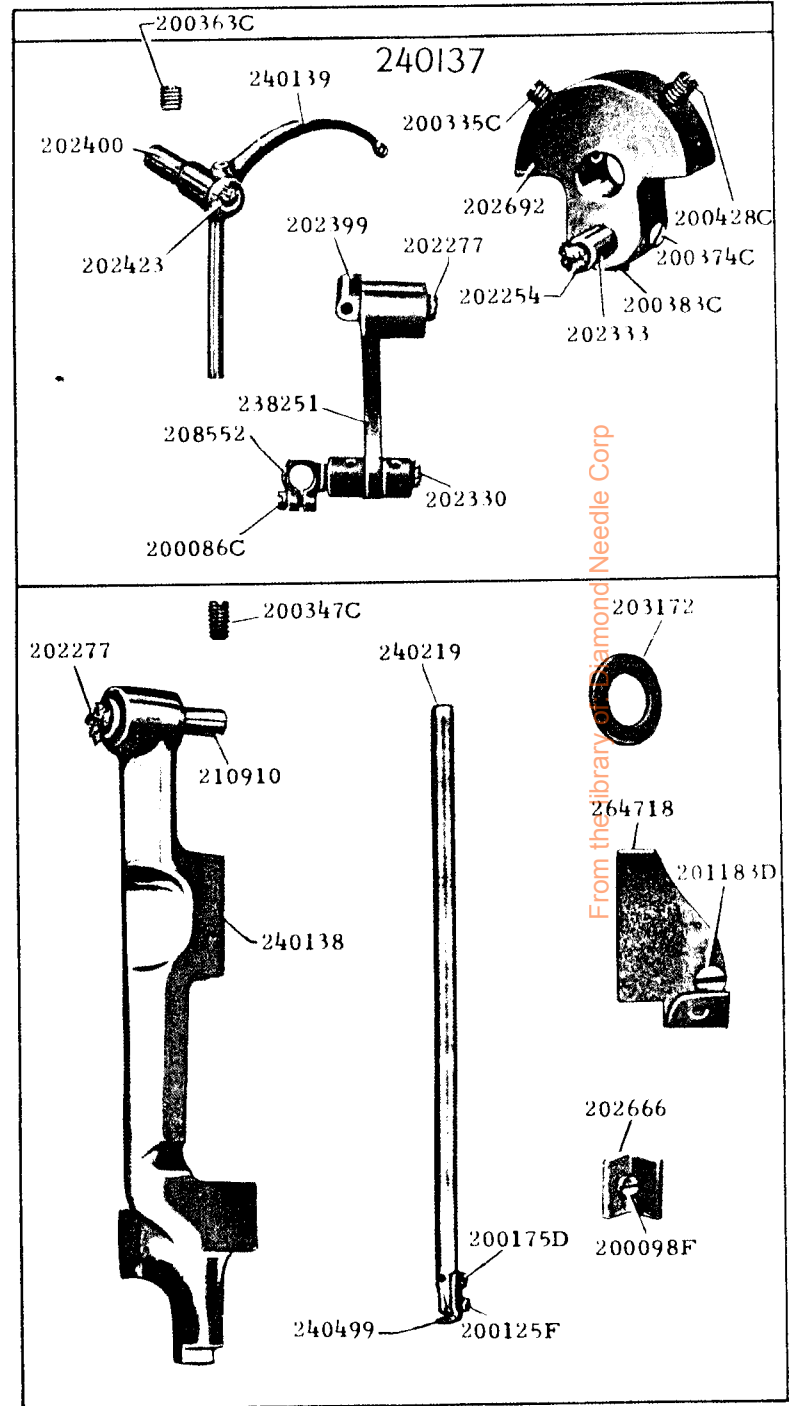


From the library of: Diana Needs

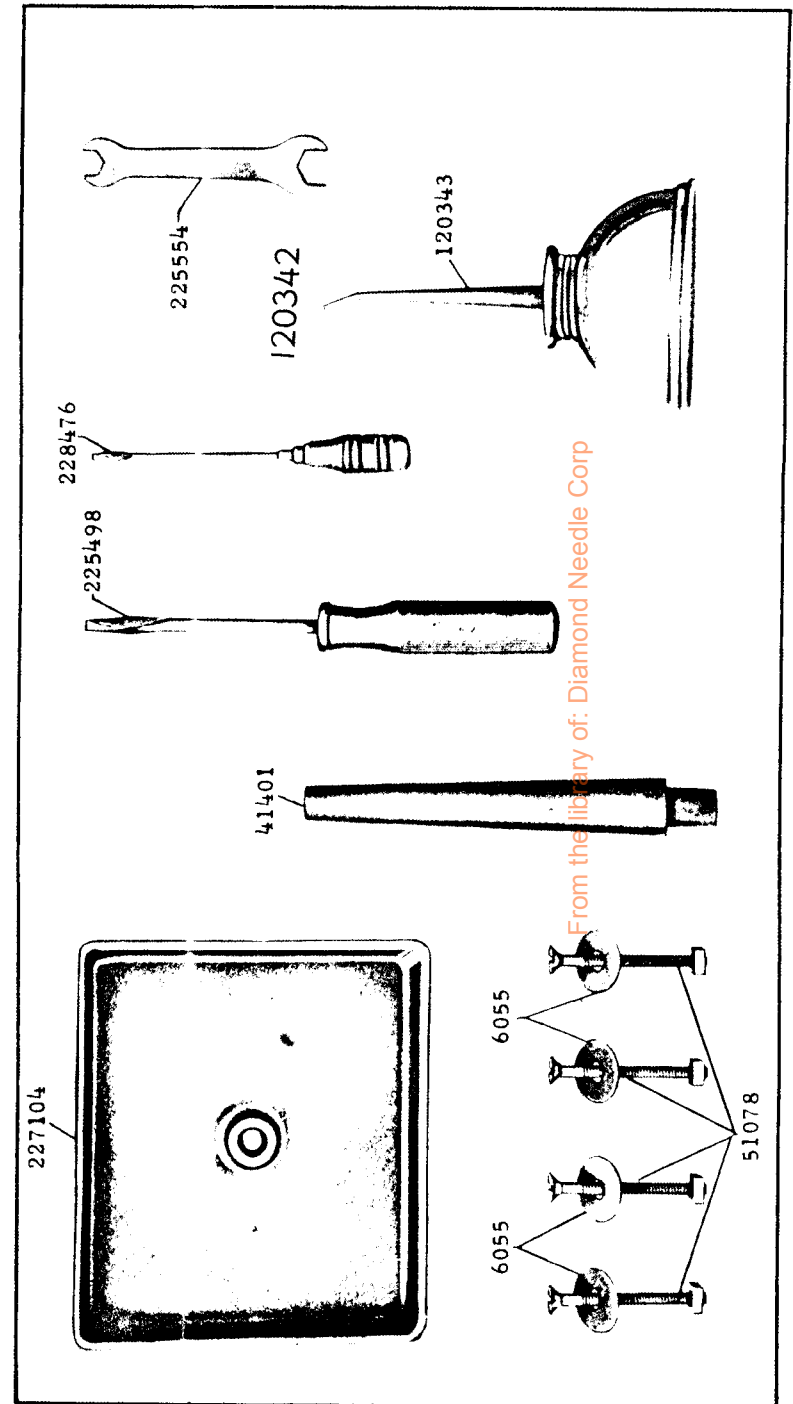
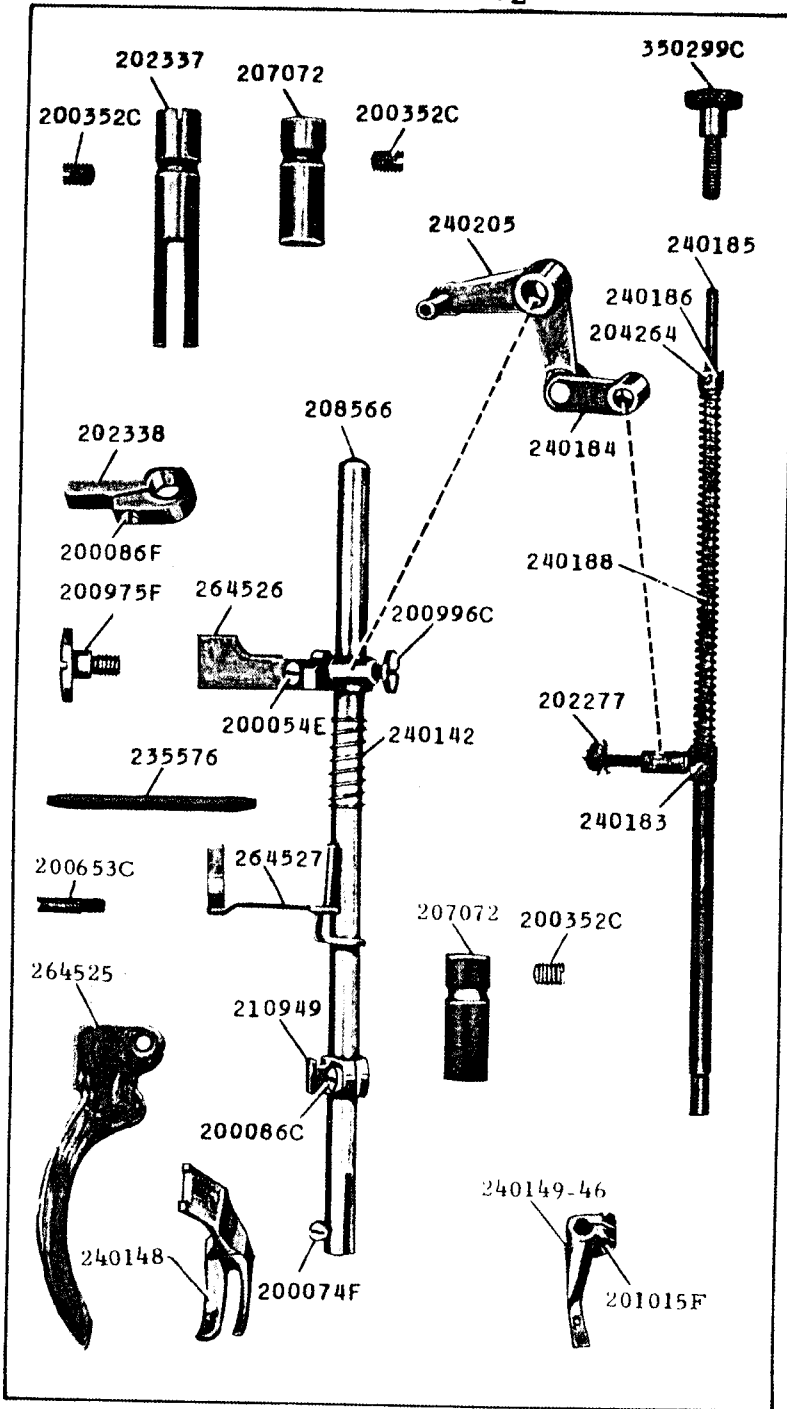
16927 - 2/3



16933 - 1/2

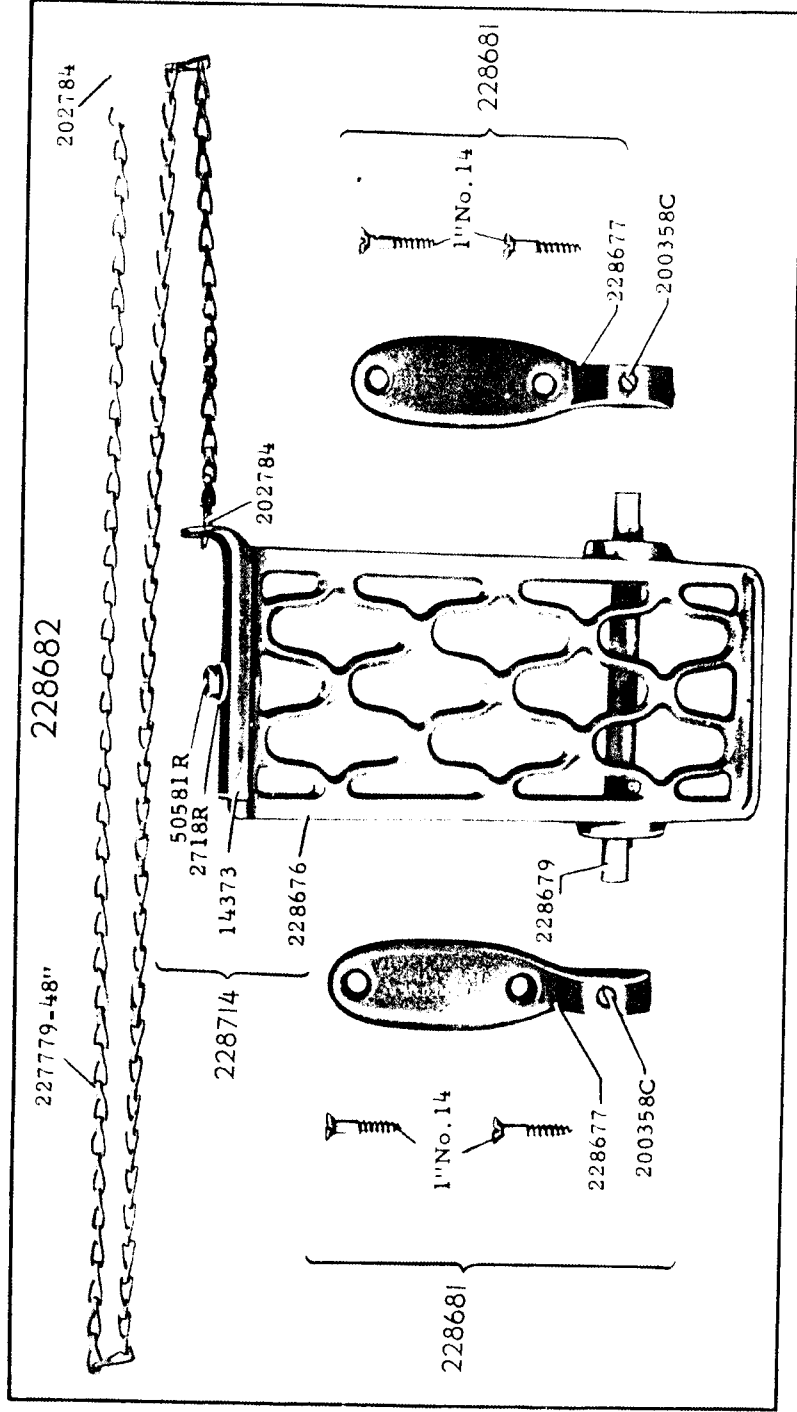


From the library of Diamond Needle Corp

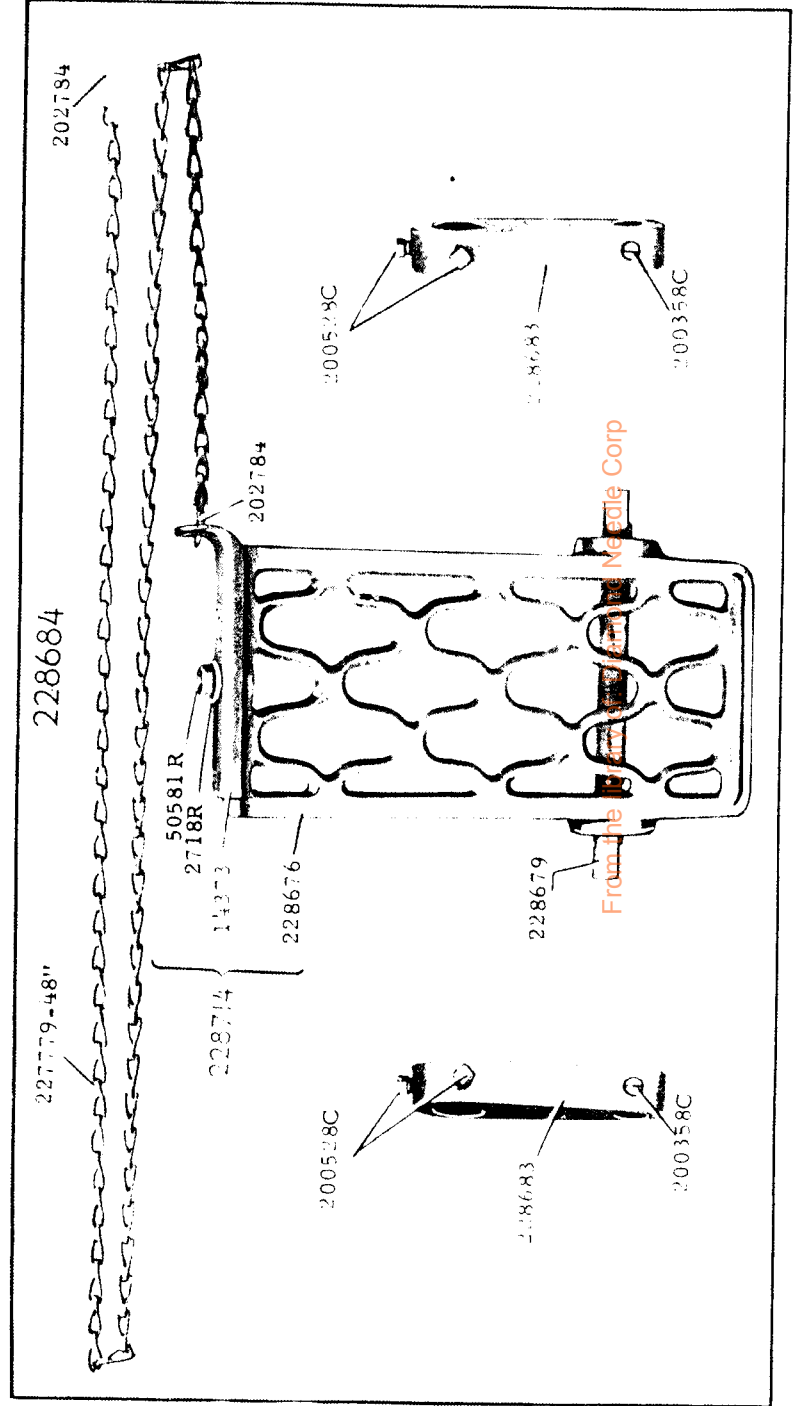


From the library of: Diamond Needle Corp

16937 - 1/3



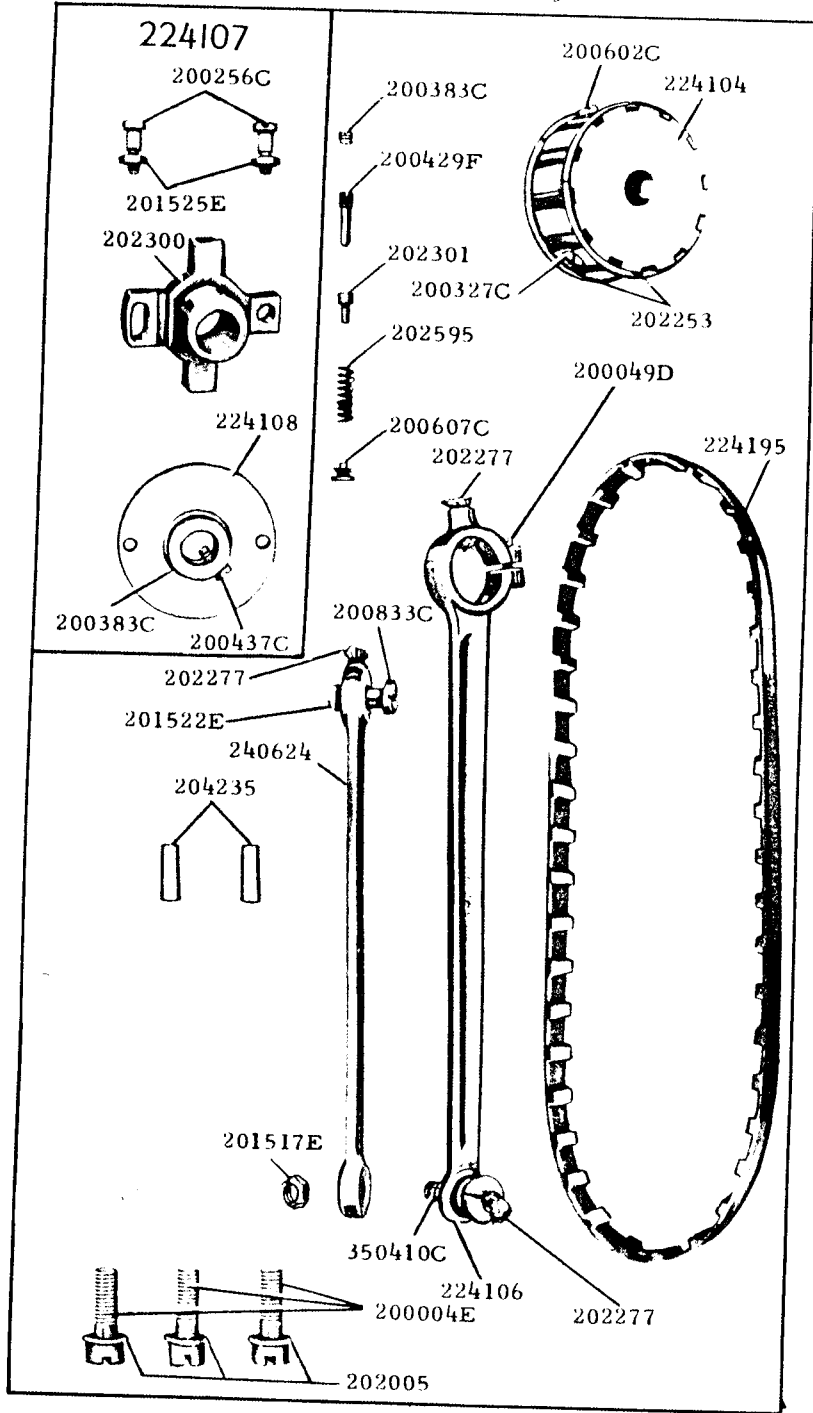
16938 - 1/3







16941 - 3/8



16942 - 3/8

